

24. DP, EF

50/60 Hz

Clamp

Pos.	Description	Frame A	Frame B/C
92	Kit No	96592050	96592054

Impeller

Pos.	Description	EF				DP		
		0.6 kW	0.9 kW	1.1 kW	1.5 kW	0.9 kW	1.5 kW	2.6 kW
		96115101	96115109	96115102	96115103	96115104	96115105	96115106
9a	Key	1	1	1	1	1	1	1
49	Impeller	1	1	1	1	1	1	1
188a	Screw	1	1	1	1	1	1	1

O-ring

Pos.	Description	0.6 - 1.5 kW		2.6 kW	
		NBR	FKM	NBR	FKM
		96115107	96646049	96115108	96646060
26a	O-ring	1	1	1	1
37	O-ring	1	1	1	1
37a	O-ring	2	2	2	2
102	O-ring	2	2	2	2
107	O-ring	1	1	1	1
159	O-ring	1	1	1	1
185	O-ring	1	1	1	1
187	O-ring	1	1	1	1
194	Sealing washer	2	2	2	2
198	O-ring	1	1	1	1
-	O-ring 135 x 4 (not used)	1	-	-	-

Shaft seal

Pos.	Description	0.9-1.5 kW		2.6 kW	
		BQQP	BQQV	BQQP	BQQV
		96106536	96645161	96076123	96645275
9a	Key	1	1	1	1
58	Shaft seal retainer	1	1		
66	Lock washer	1	1	1	1
105a	Shaft seal cartridge	1	1	1	1
106	O-ring	-	-	2	2
107	O-ring	2	2	1	1
112a	Retaining ring	-	-	1	1
153a	Retaining ring	-	-	1	1
188a	Screw M8 x 25	1	1	1	1
194	Sealing washer	2	2	2	2

SmartSeal

Pos.	Description	DN 65		DN 65/80	
		NBR	FKM	NBR	FKM
		96575022	96659160	96575023	96659161
-	SmartSeal for guide shoe	1	1	1	1

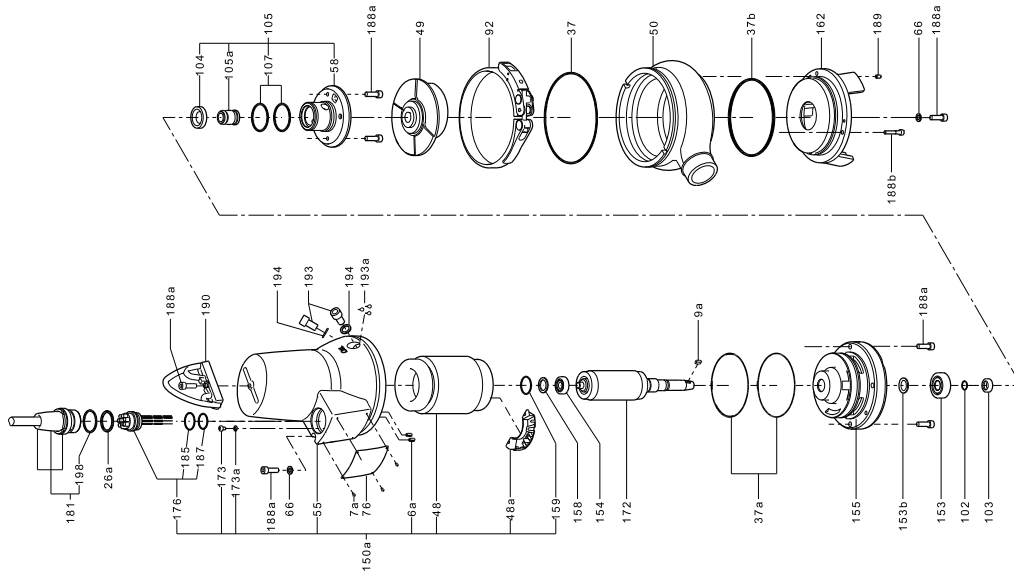
Sphere for hook-up

Pos.	Description	DN 50/Rp 2	
		NBR	FKM
		96592034	96657778
-	Sphere for hook-up	1	1

Upper guide rail holder

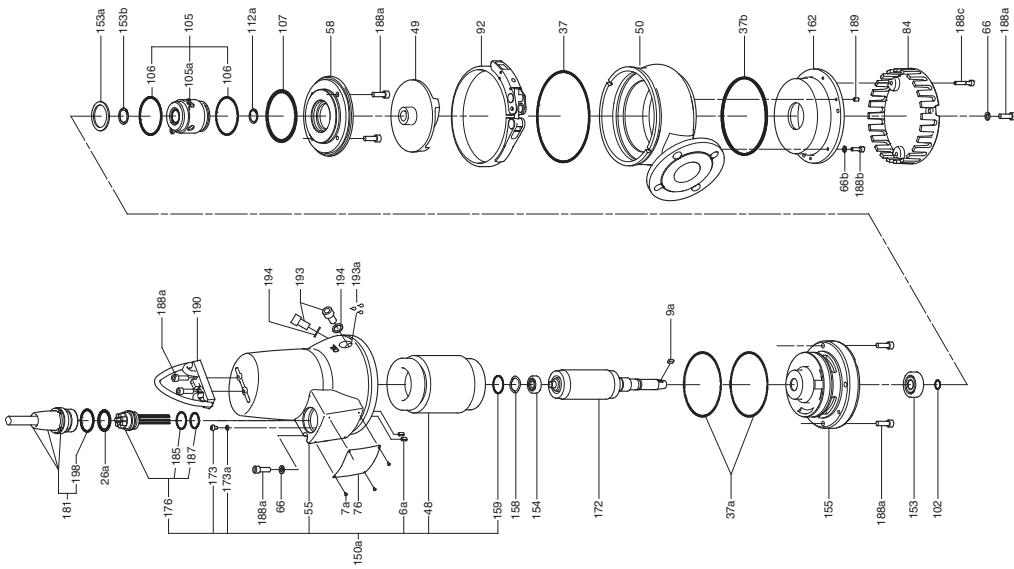
Pos.	Description	DN 65/80
		96592037
-	Upper guide rail holder	1

EF



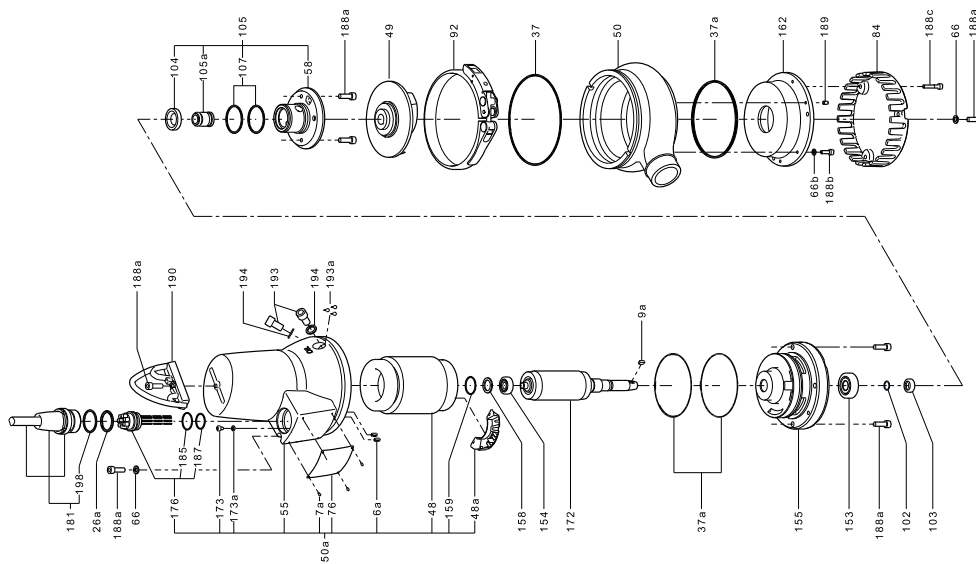
TM02 7362 3009

DP 2.6 kW



TM02 7232 4506

DP 0.9, 1.5 kW



TM02 7229 3009

Bearing

Pos.	Description	Frame	A	B/C
		Kit No	98682345	96690707
153	Bearing		1	1
154	Bearing		1	1

Cable

Pos.	Description	Length Type	10		15		20		25	
			Standard	Ex	Standard	Ex	Standard	Ex	Standard	Ex
181	Cable		96591649	96689976	96659473	96689977	96591660	96689978	96689953	96689979

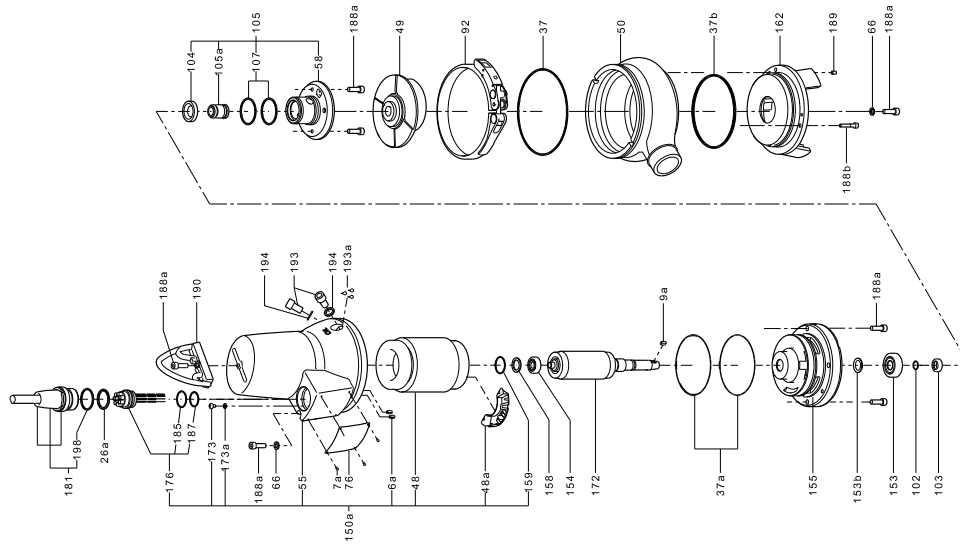
Guide shoe

Pos.	Description	DN 65				DN 65/80			
		NBR		FKM		NBR		FKM	
		Kit No	96692327	96692330	96692331	96692332			
-	Rubber seal for guide shoe	1	1	1	1				
-	Guide shoe	1	1	1	1				

Lifting bracket

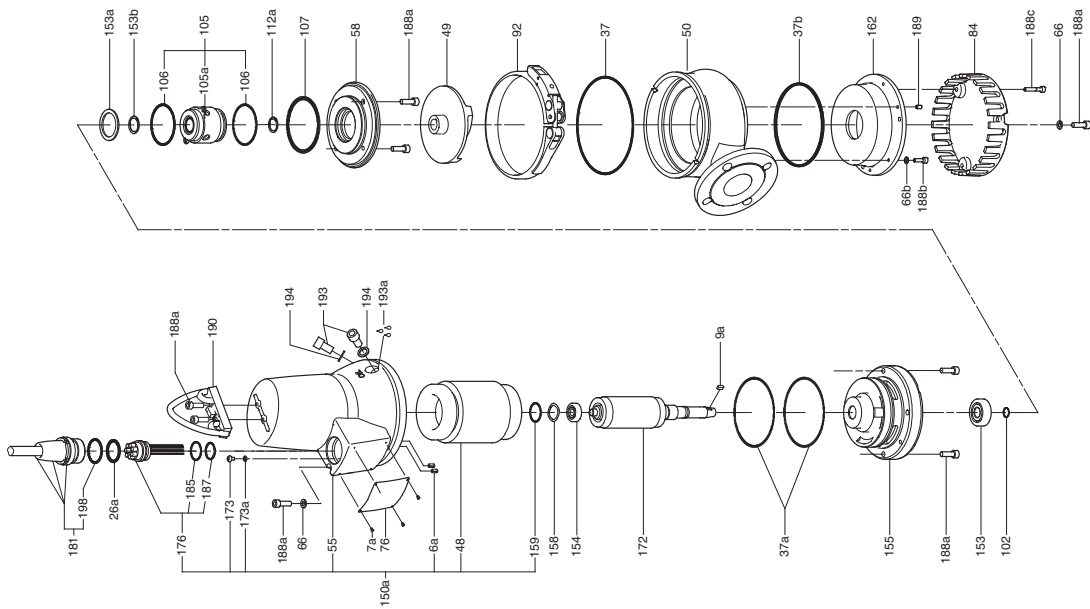
Pos.	Description	Frame	A	B/C
		Kit No	96690420	96690428
188a	Screw		1	2
190	Lifting bracket		1	1

EF



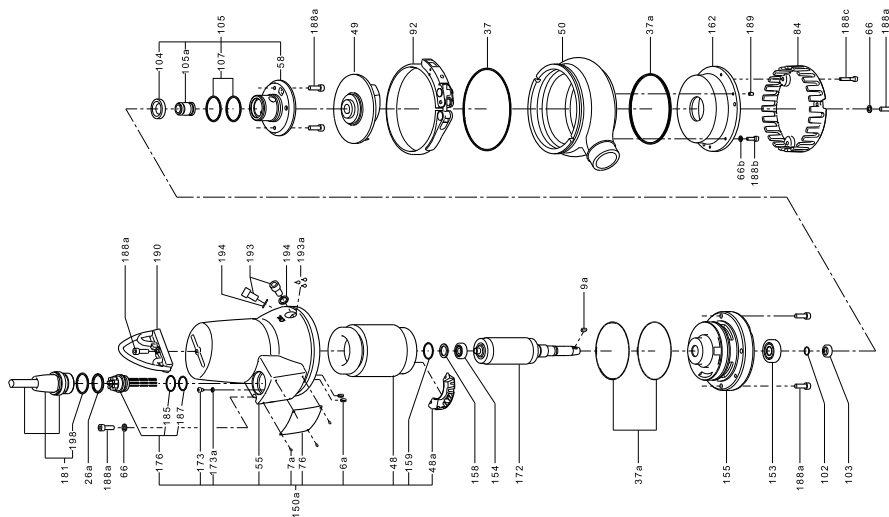
TM02 7362 3009

DP 2.6 kW



TM02 7232 4506

DP 0.9, 1.5 kW



TM02 7229 3009

DP, EF